



**Low Pressure Gauges**

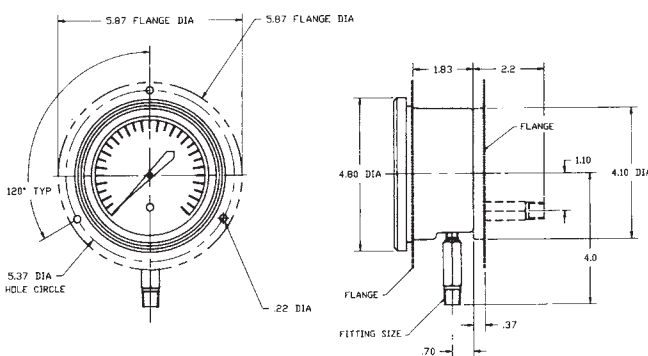
*Accurate and reliable low pressure gauges available in 4 1/2" Dyna-mount cases and stainless steel cases.*

**Features**

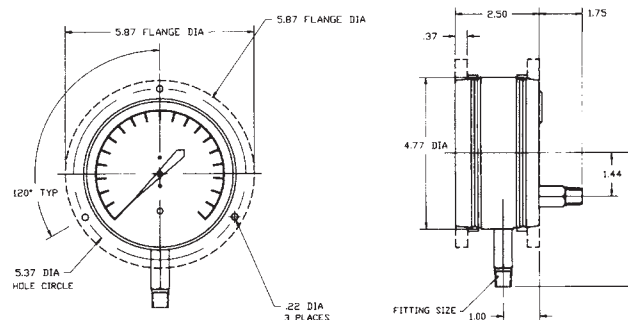
- Field adjustable "Dyna-mount" process connection and mounting flange
- Adjustable zero setting
- Standard changeable filter
- All wetted surfaces stainless steel construction
- 150% Overpressure with no effect on calibration
- 500% Burst pressure
- Design tested to 500,000 cycles
- Ranges available from 0-25 inches of water (60 mbar) to 15 psig (1000 mbar)

**Benefits**

- Application flexibility, bottom or back mount in one unit
- Longer service life
- Rezero capability
- Corrosion resistance



STAINLESS STEEL CASE



PLASTIC CASE

## SPECIFICATIONS

Pressure Ranges: 25 inches (60 mbar) of water to 15 psig (1000 mbar)

Accuracy: +/-2.0% of full scale  
± 1.0% (optional)

Ambient Temperature: -65° F to 190° F (-54° C to 88° C)

Proof Pressure: 150% full scale no calibration shift

Burst Pressure: 500% of full scale

Operating Media: Any gas media suitable for contact with 316 stainless steel

### MATERIALS

Sensing Element: Stainless steel  
Fitting: 316 stainless steel  
Dial: 300 series stainless steel  
Movement: Brass

### STAINLESS STEEL CASE MATERIALS

Case: 300 series stainless steel electro-polished  
Crystal: Acrylic (or optional glass)  
Flange: 300 series stainless steel (Optional)

### HIGH IMPACT PLASTIC CASE MATERIALS

Case: High impact resistant Cyclocac Plastic  
Crystal: Acrylic  
Flange: High impact resistant

## MOD CODE LISTING

**None** - psig and in H<sub>2</sub>O ranges / scales

ISZ - od/in<sup>2</sup> ranges / scales

ISB - mbar or bar ranges / scales

ISO - kPa ranges / scales

ISK - kgf/cm<sup>2</sup> and mm H<sub>2</sub>O ranges / scales

ISZD - Dual scale with oz/in<sup>2</sup> inner scale and psig or in H<sub>2</sub>O outer scale

ISBD - Dual scale with mbar inner scale and psig or in H<sub>2</sub>O outer scale

ISOD - Dual scale with kPa inner scale and psig or in H<sub>2</sub>O outer scale

ISKD - Dual scale with kgf/cm<sup>2</sup> or mm H<sub>2</sub>O inner scale and psig / in H<sub>2</sub>O outer scale

CPB - 0 to 100% linear scale for receiver gauge

CPA - 0 to 10 square root scale for receiver gauge

GCG - Optional 1.0% (of Span) Accuracy

GBT - Optional Laminated Glass Crystal (Stainless Steel Case Only)

**Note: More than one Mod Code can be used at the end of the model number.**

## ORDERING INFORMATION

Model Number **25584 - XX - X - X - X - XXX**

### LOW PRESSURE GAUGE

#### PRESSURE RANGE

<u>-03</u>	0-25 inches of H <sub>2</sub> O	60 mbar
<u>-04</u>	0-30 inches of H <sub>2</sub> O	75 mbar
<u>-05</u>	0-40 inches of H <sub>2</sub> O	100 mbar
<u>-06</u>	0-60 inches of H <sub>2</sub> O	160 mbar
<u>-08</u>	0-100 inches of H <sub>2</sub> O	250 mbar
<u>-09</u>	0-5 psig	350 mbar
<u>-11</u>	0-200 inches of H <sub>2</sub> O	500 mbar
<u>-14</u>	0-300 inches of H <sub>2</sub> O	750 mbar
<u>-15</u>	0-15 psig	1000 mbar
<u>-17</u>	0-400 inches of H <sub>2</sub> O	1000 mbar

\* All metric gauges are standard per ASME B40.1

### MOD CODE

#### CASE

1 = black ABS Plastic  
4 = yellow ABS Plastic  
5 = stainless steel

#### FLANGE / FITTING POSITION

1 = front / bottom	5 = none / bottom
2 = front / back	6 = none / back
3 = back / bottom	7 = detached / bottom (ABS only)
4 = back / back	8 = detached / back (ABS only)

#### FITTING

B = 1/4 NPTM  
C = 1/2 NPTM

## 3D Instruments, LLC

2900 E. White Star Avenue, Anaheim, California 92806 USA  
Phone: (714) 399-9200 Fax: (714) 399-9221  
Internet: www.3dinstruments.com E-mail: info@3dmstruments.com